

EMC (歐規)高性能/低漏電單相電源雜訊抑制濾波器 (雙π 迴路)

High Current Line Filters for 1-phase systems Low leakage current (EURO)

2-stage HUA Series, all-purpose filters to Protection Class 1
 0~250VAC 50/60HZ θ a 40°C EN55011 Class A

CONFORMS
 TO IEC 60 950
 UL 1283
 EN 133200

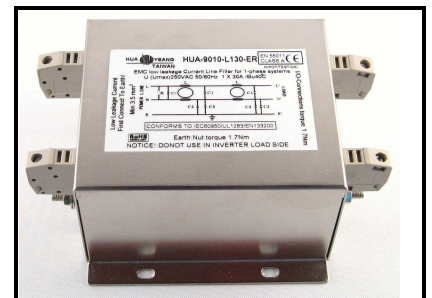
CE

This series of single-phase low-leakage power supply filter, in line with EN55011 Class A / EN55022 Class B protection, specifically for switching power supplies and power converters used in the 10KHz ~ 30MHz wide frequency waves within the common mode and differential mode interference is high attenuation performance. This series of single-phase low-leakage power supply filter can satisfy portable devices and medical equipment, the requirements for low leakage current and low-cost features.

本系列單相低漏電電源濾波器,符合 EN55011 Class A /EN55022 Class B 保護,專供開關電源和電源變換器使用,在 10KHz~30MHz 的波寬頻段內對共模和差模干擾都具有高衰減性能.本系列單相低漏電電源濾波器可滿足攜帶式裝置和醫療設備對低洩漏電流的要求和價格低廉的特點.

SPECIFICATION

Test Voltage (1 min) :L to E 1500VAC/2250VDC
 L to L 1500VDC
 Insulation Resistance : L to E ≥3000MΩ
 L to L ≥2000MΩ



Current reduction above 40°C ambient temperature: $I=I_n\sqrt{(85-\theta)/45}$

θ = operating temperature

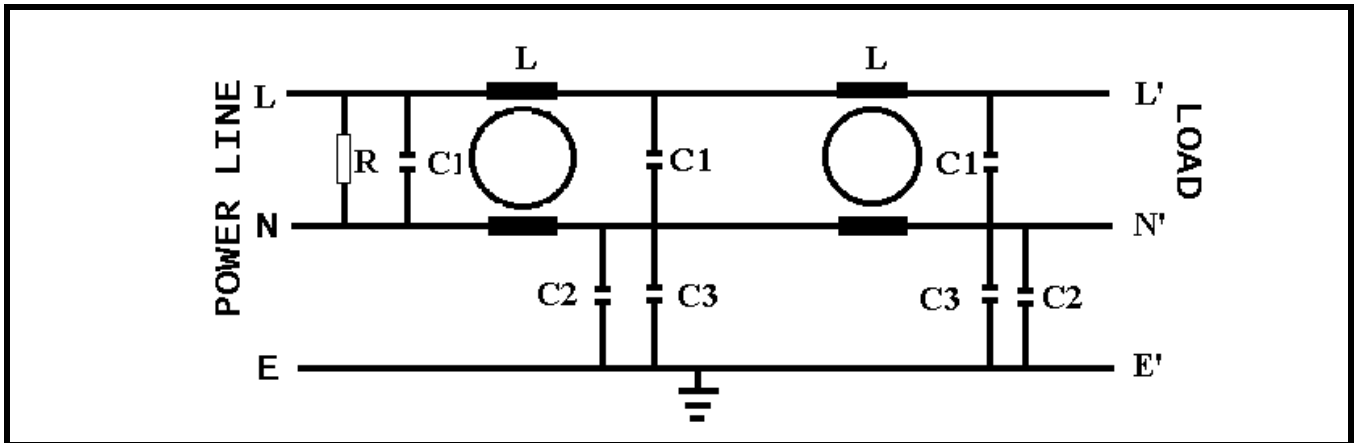
TYPE	In @δa40°C [A]	Umax 50/60Hz [v]	Overload Current	Resistance L-L' ±15% [mΩ]	Power Dissipation total±15% [W]	Max. leakage current @250v/60hz		Temperature Rise °C	Temperature Range °C	Fig
						In 1-phase system [mA]	Worst Case [mA]			
HUA-9010-L110-□	1×10	0~250	1.5×In 1 min. per hour	18.2	4.2	≤0.5	0.5	≤30	-25~+85	A/B
HUA-9010-L120-□	1×20			5.6	4.8		0.8	≤30	-25~+85	A/B
HUA-9010-L130-□	1×30			2.2	4.5		1.0	≤30	-25~+85	A/B
HUA-9010-L140-□	1×40			2.0	11.2		2.0	≤30	-25~+85	C/D
HUA-9010-L150-□	1×50			2.0	11.2		2.0	≤30	-25~+85	C/D
HUA-9010-L160-□	1×60			2.0	11.2		2.0	≤30	-25~+85	C/D
HUA-9010-L180-□	1×80			2.0	11.2		2.0	≤30	-25~+85	C/D
HUA-9010-L1-100-□	1×100			2.0	11.2		2.0	≤30	-25~+85	C/D

Order Types (訂購型號說明)

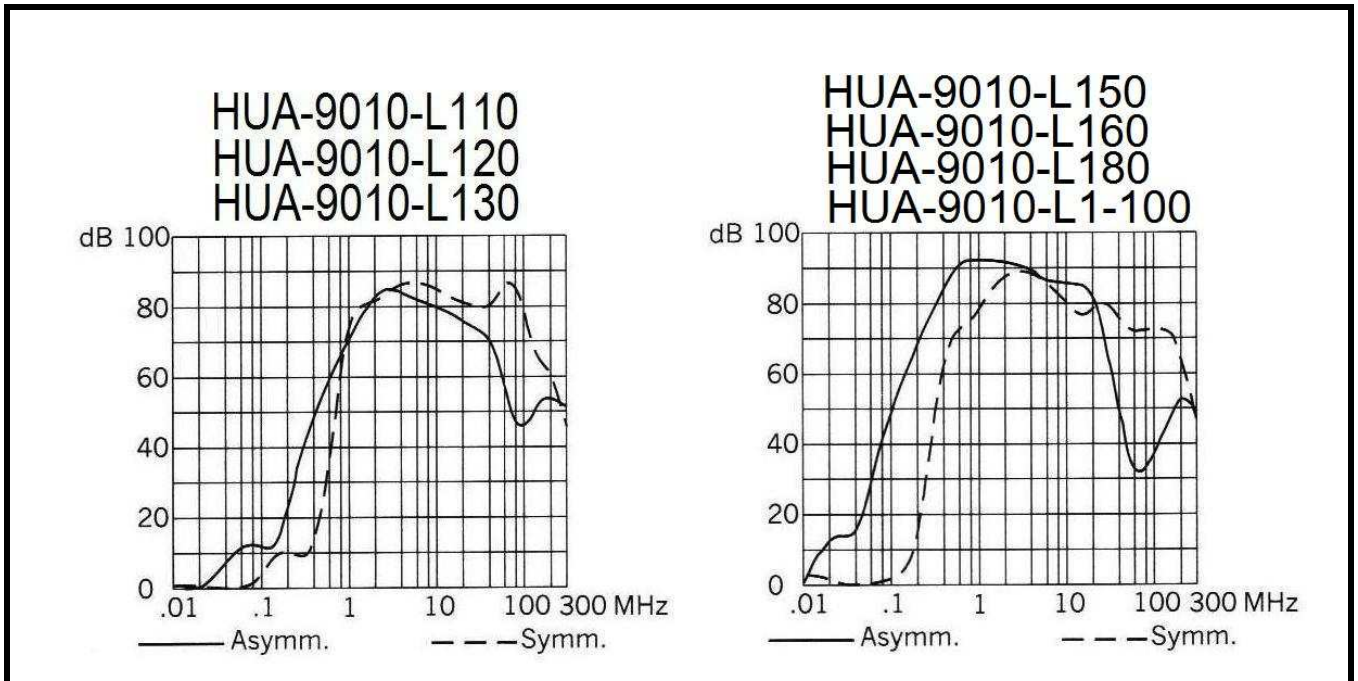
型號:HUA - 9010-L1□- □

- 無: 螺絲出線 (附圖 A/C)
- E: 歐規端子台出線 (附圖 B/D)
- 10:表示 10A 額定電流
- 100:表示 100A 額定電流

Circuit Diagram(電路圖)



Insertion loss (衰減值)



Dimension(mm) 外殼形式

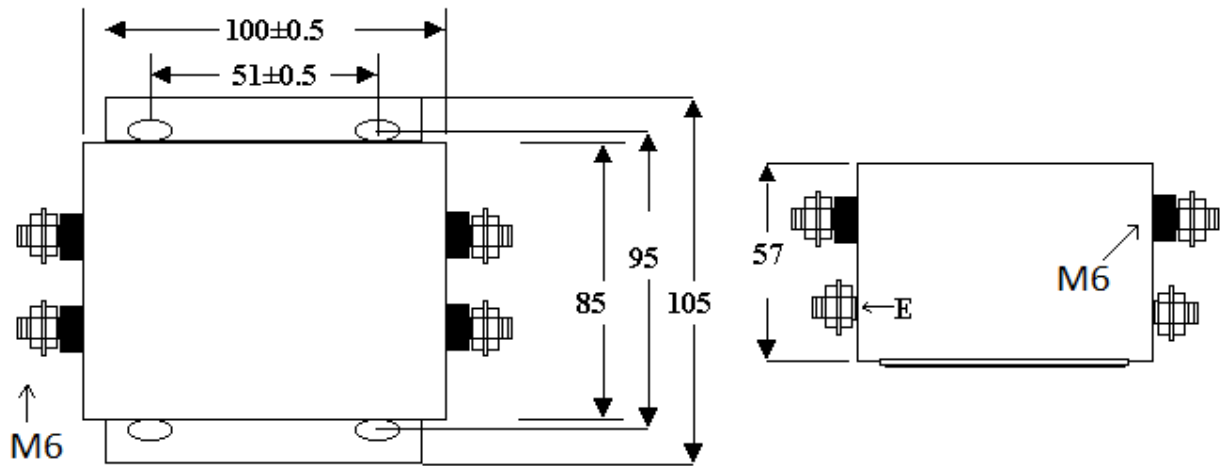


圖 A

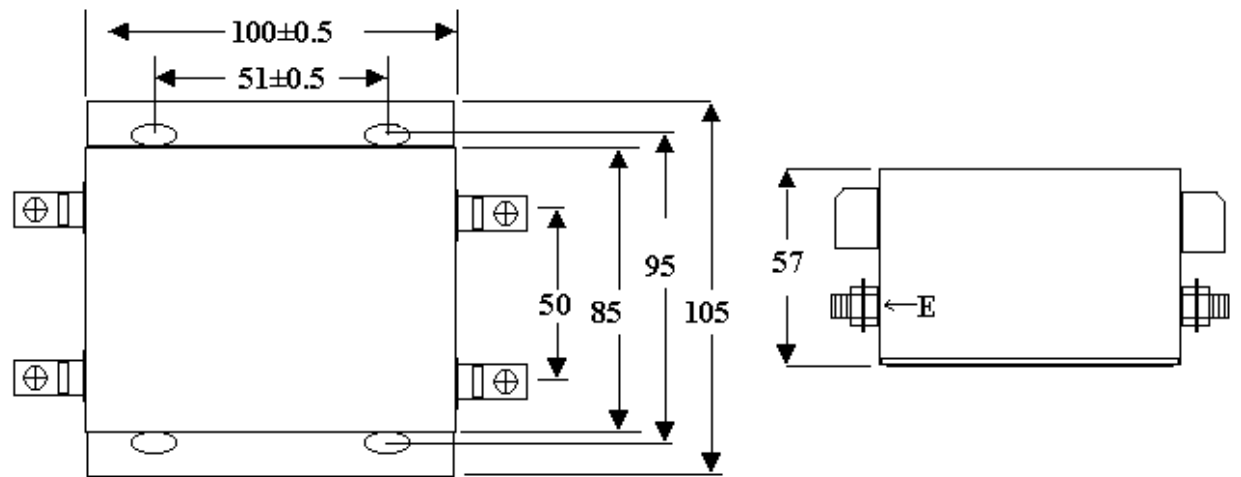


圖 B

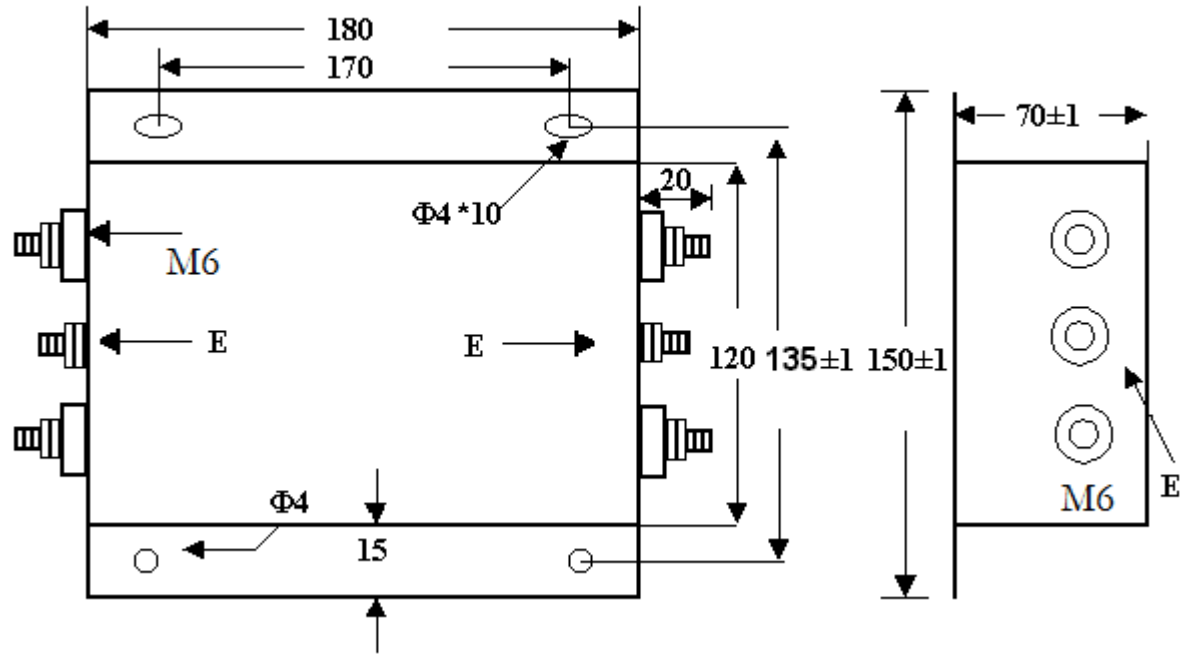


圖 C

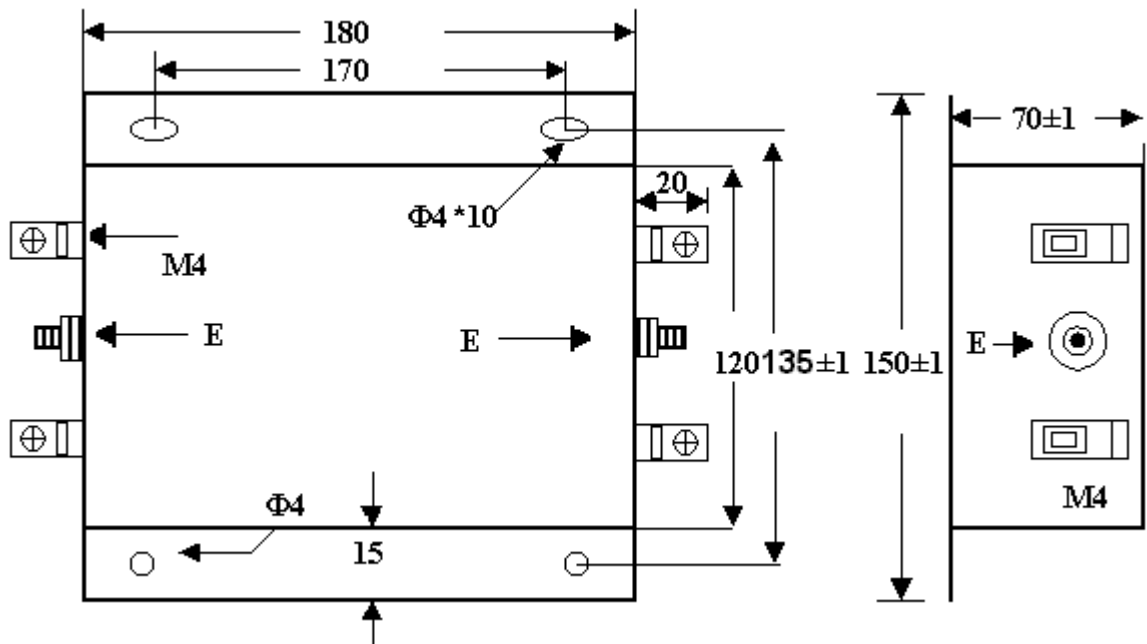


圖 D